

# S Series.

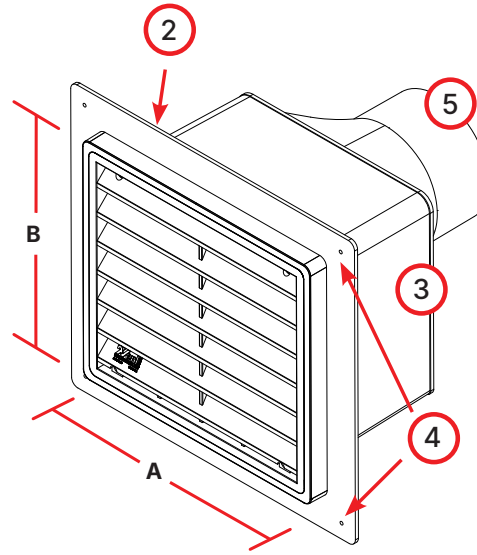
## O&M / INSTALL GUIDE

### INSTALLATION PROCEDURE:

APPLICABLE FOR ALL S SERIES MODELS

#### 1. ROUGH OPENING SIZE REQUIREMENTS:

MODEL	(A) LENGTH	(B) WIDTH
SLIM-S	9.5"	4.875"
SEB-S	8.5"	7.6"
SEB-RND	8.5"	7.7"
MDEB-S	8.5"	7.6"
DVEB-S	8.5"	12.6"
DHEB-S	12.6"	8.5"
TVEB-S	8.5"	12.6"
THEB-S	12.6"	8.5"



#### 2. SEALANT APPLICATION:

Apply a continuous bead of construction sealant around the backside of the perimeter mounting flange.  
Recommended Sealant: Sikaflex- 201 or other high grade exterior sealant. (Sealant not included)

#### 3. UNIT PLACEMENT:

Insert exhaust box into exterior rough opening. Ensure unit is seated flush against the exterior surface and level both horizontally and vertically before fastening.

#### 4. MECHANICAL FASTENING:

Mechanically fasten with non-corrosive 3/16" X 2" screws:  
Four (4) for SLIM-S, SEB-S and MDEB-S models  
Six (6) for DVEB-S, DHEB-S, TVEB-S and THEB-S models  
(Screws not included)

#### 5. DUCT CONNECTION:

Insert properly sized metal duct(s) into rear duct port assembly and secure with metal duct tape.  
(Duct tape not included)

### OPERATIONS & MAINTENANCE PROCEDURES:

#### MINIMUM MAINTENANCE:

Our products are designed to require minimal maintenance. The recessed cavity boxes contain only one or two moving parts (gravity dampers) depending on the model.

#### ANNUAL INSPECTIONS / MAINTENANCE:

An annual visual inspection of the dryer, bathroom and residential kitchen exhaust termination box or sleeve is recommended. Remove any visible lint or debris to maintain proper airflow.

#### DRYER APPLICATIONS:

Inspection of exhaust boxes used in conjunction with dryer exhaust may require more frequent inspection due to frequency of use.

#### REQUIRED:

Removal of all visible lint in and around the cavity box, particularly around the damper frame(s) assembly and gravity damper(s).

#### RECOMMENDED:

Confirm that the duct between the dryer and the termination box is free of lint build up. Inspect and clear any accumulated debris as needed to maintain proper airflow.

#### XVENTBOX® RED VIKING GROUP INC.

8022 Providence Rd. Suite: 500-145  
Charlotte, NC 28277  
Contact: customerservice@xventbox.com