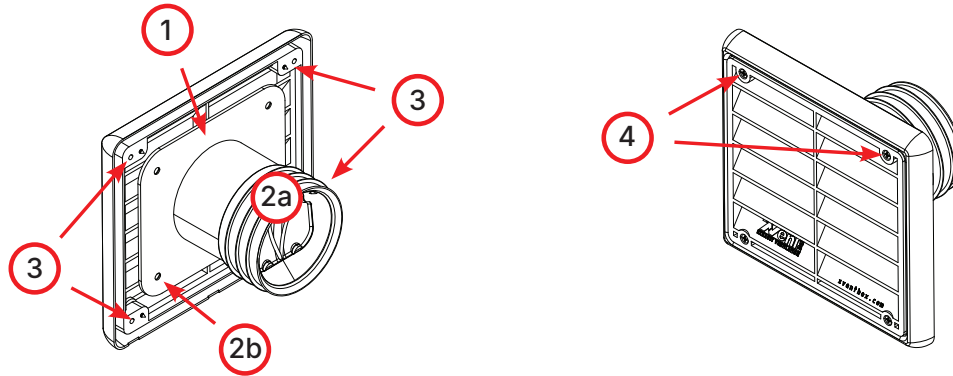


# ILS Series.

## INSTALLATION PROCEDURE:

APPLICABLE FOR ALL ILS SERIES MODELS



- 1. SEALANT APPLICATION:**  
Apply a continuous bead of construction sealant around the backside of the mounting flange perimeter.  
(Recommended Sealant: Sikaflex-201 or other high grade exterior sealant. Sealant not included)
- 2. SLEEVE INSTALLATION:**  
(2a) Moisten rubber seal with water and insert sleeve into duct.  
Note: Metal duct should be true-round and free of defects to ensure a proper seal. (2b) Mechanically fasten the mounting flange to the exterior surface.
- 3. MECHANICAL FASTENING:**  
Mechanically fasten front louver frame to exterior wall surface with 3/16" x 2 1/4" flat head stainless steel screws:  
Four (4) for 4ILS-8F and 6ILS-8F models  
Six (6) for 4ILS-12V, 4ILS-12H, 6ILS-12V, 6ILS-12H, 4/4ILS-12V, 4/4ILS-12H, 4/6ILS-12V and 4/6ILS-12H models  
(Screws not included)
- 4. LOUVER INSTALLATION:**  
Attach front louver to front louver frame with the stainless steel screws provided.

## O&M / INSTALL GUIDE

### OPERATIONS & MAINTENANCE PROCEDURES:

#### MINIMUM MAINTENANCE:

Our products are designed to require minimal maintenance. The in-line sleeves contain only one or two moving parts (gravity dampers) depending on the model.

#### ANNUAL INSPECTIONS / MAINTENANCE:

An annual visual inspection of the dryer, bathroom and residential kitchen exhaust termination box or sleeve is recommended. Remove any visible lint or debris to maintain proper airflow.

#### DRYER APPLICATIONS:

Inspection of in-line sleeves used in conjunction with dryer exhaust may require more frequent inspection due to frequency of use.

#### REQUIRED:

Removal of all visible lint in and around the in-line sleeve, particularly around the damper frame(s) assembly and gravity damper(s).

#### RECOMMENDED:

Confirm that the duct between the dryer and the in-line sleeve(s) is free of lint build up. Inspect and clear any accumulated debris as needed to maintain proper airflow.

#### XVENTBOX® RED VIKING GROUP INC.

8022 Providence Rd. Suite: 500-145  
Charlotte, NC 28277  
Contact: customerservice@xventbox.com