

F Series.

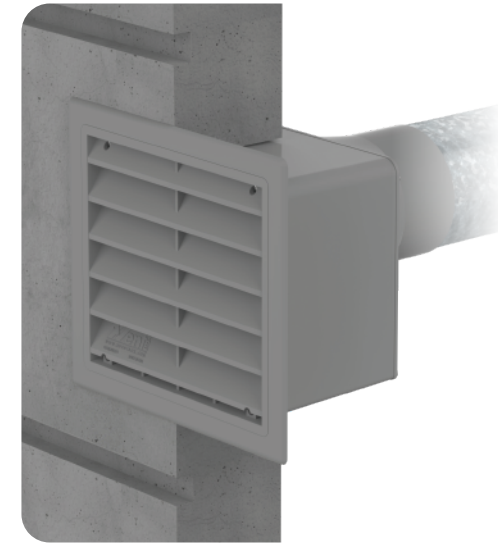
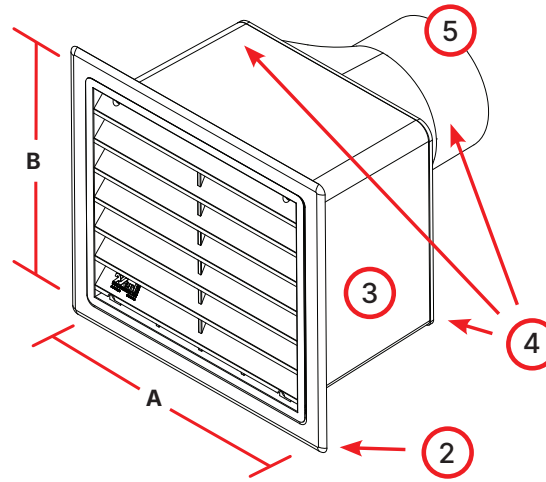
O&M / INSTALL GUIDE

INSTALLATION PROCEDURE:

APPLICABLE FOR ALL F SERIES MODELS

1. ROUGH OPENING SIZE REQUIREMENTS:

MODEL	(A) LENGTH	(B) WIDTH
SLIM-F	9.5"	4.875"
SEB-F	9"	8.125"
MDEB-F	9"	8.125"
DVEB-F	9"	13.125"
DHEB-F	13.125"	9"
TVEB-F	9"	13.125"
THEB-F	13.125"	9"



2. SEALANT APPLICATION:

Apply a continuous bead of construction sealant around the backside of the perimeter mounting flange.
(Recommended Sealant: Sikaflex-201 or other high grade exterior sealant. Sealant not included)

3. UNIT PLACEMENT:

Insert exhaust box into exterior rough opening. Ensure unit is seated flush against the exterior surface and level both horizontally and vertically before fastening.

4. MECHANICAL FASTENING:

Pull rear mounting straps taut and mechanically fasten to framing member.

5. DUCT CONNECTION:

Insert properly sized metal duct(s) into rear duct port assembly and secure with metal duct tape.
(Duct tape not included)

OPERATIONS & MAINTENANCE PROCEDURES:

MINIMUM MAINTENANCE:

Our products are designed to require minimal maintenance. The recessed cavity boxes contain only one or two moving parts (gravity dampers) depending on the model.

ANNUAL INSPECTIONS / MAINTENANCE:

An annual visual inspection of the dryer, bathroom and residential kitchen exhaust termination box or sleeve is recommended. Remove any visible lint or debris to maintain proper airflow.

DRYER APPLICATIONS:

Inspection of exhaust boxes used in conjunction with dryer exhaust may require more frequent inspection due to frequency of use.

REQUIRED:

Removal of all visible lint in and around the cavity box, particularly around the damper frame(s) assembly and gravity damper(s).

RECOMMENDED:

Confirm that the duct between the dryer and the termination box is free of lint build up. Inspect and clear any accumulated debris as needed to maintain proper airflow.

XVENTBOX® RED VIKING GROUP INC.

8022 Providence Rd. Suite: 500-145
Charlotte, NC 28277
Contact: customerservice@xventbox.com