

# FIRE RATED XVENTBOX OPTIONS

## 1 hr Rating

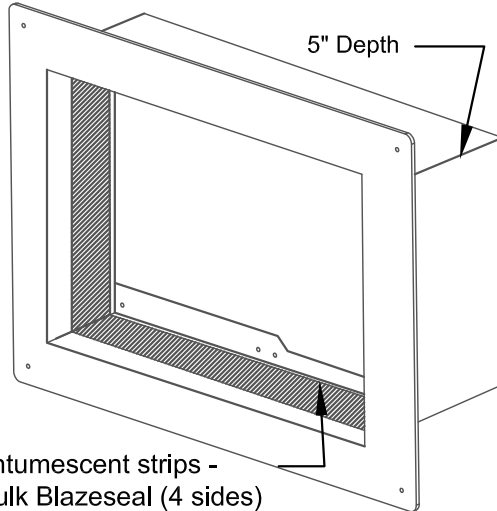
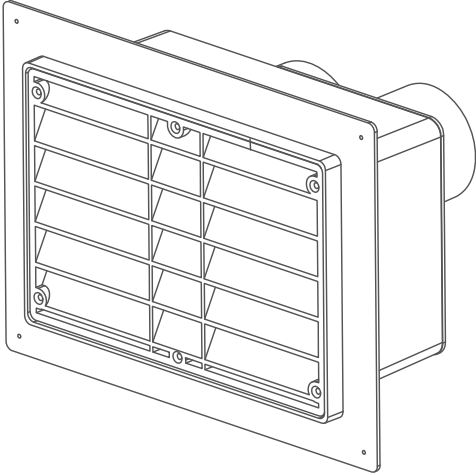
To be used with any S, BR & F Double & Triple XVentBox Series.  
Horizontal Orientation.

### MODEL

### METAL SHROUD

### EXTERIOR WALL FINISH

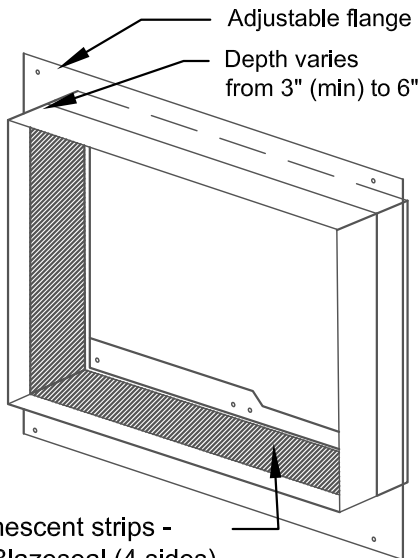
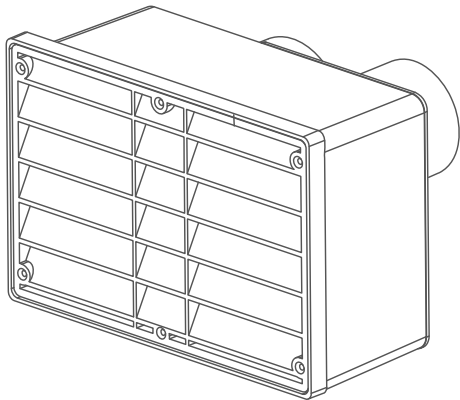
S Model (Double and Triple )



Designed for exterior finish systems such as:

Siding (Metal, fibercement, etc.)  
Stucco  
Metal Paneling

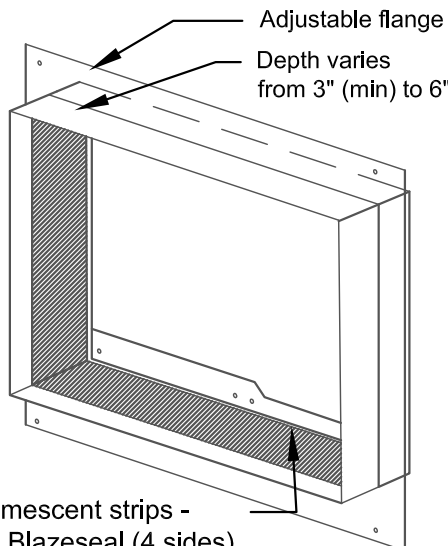
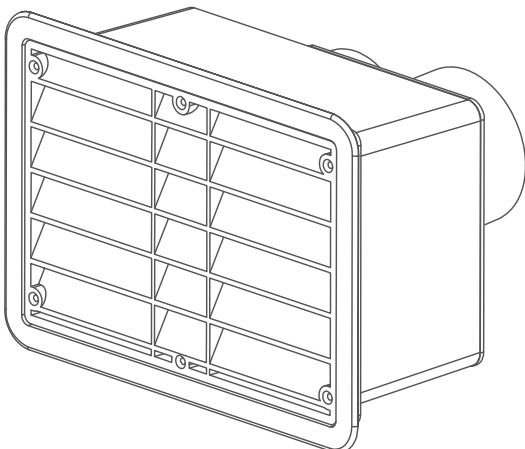
BR Model (Double and Triple )



Designed for exterior finish systems such as:

Brick  
Stone  
EIFS  
Metal Panels  
Composite Panels  
Stucco

F Model (Double and Triple )



Designed for exterior finish systems such as:

Precast Panels  
Prefinish exterior systems  
Metal Paneling

# FIRE RATED XVENTBOX OPTIONS

## 1 hr Rating

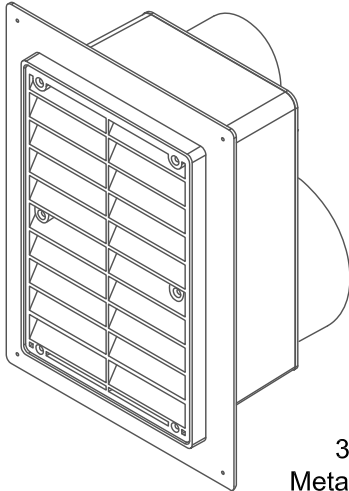
To be used with any S, BR & F Double & Triple XVentBox Series.  
Vertical Orientation.

### MODEL

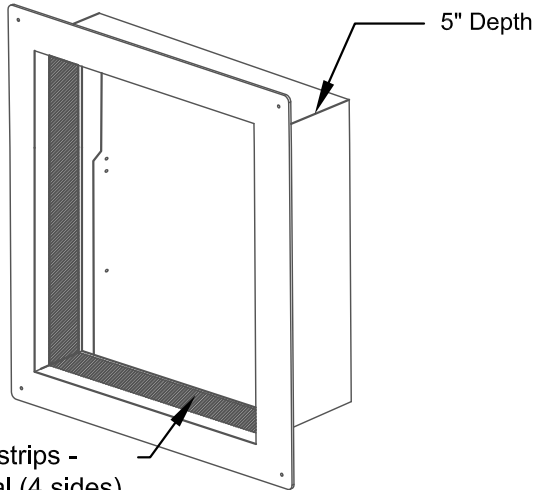
### METAL SHROUD

### EXTERIOR WALL FINISH

S Model (Double and Triple )



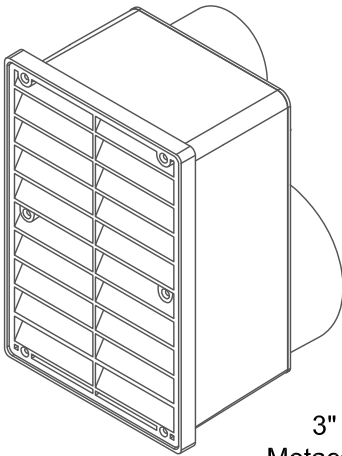
3" Intumescent strips -  
Metacaulk Blazeseal (4 sides)



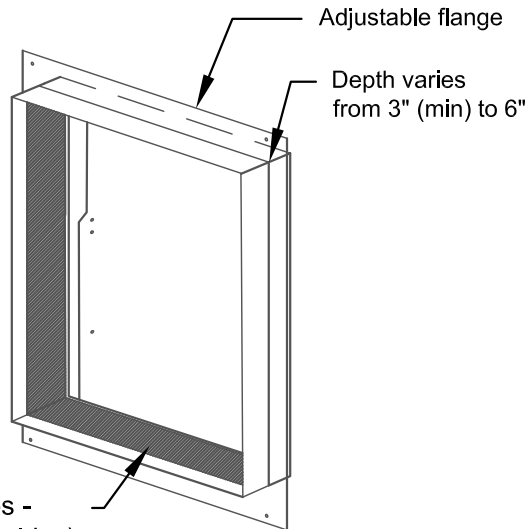
Designed for exterior finish systems such as:

Siding (Metal, fibercement, etc.)  
Stucco  
Metal Paneling

BR Model (Double and Triple )



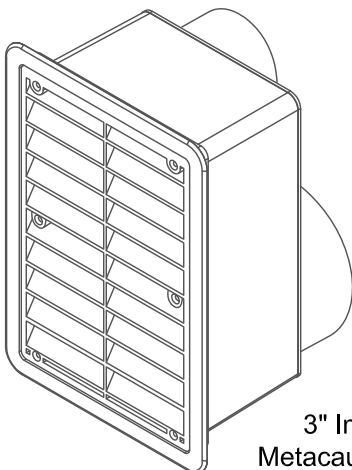
3" Intumescent strips -  
Metacaulk Blazeseal (4 sides)



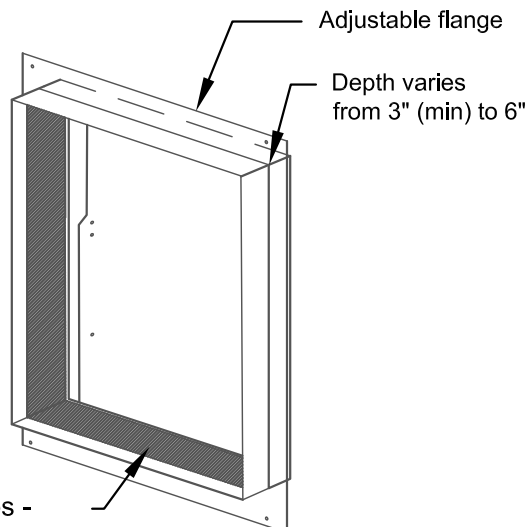
Designed for exterior finish systems such as:

Brick  
Stone  
EIFS  
Metal Panels  
Composite Panels  
Stucco

F Model (Double and Triple )



3" Intumescent strips -  
Metacaulk Blazeseal (4 sides)



Designed for exterior finish systems such as:

Precast Panels  
Prefinish exterior systems  
Metal Paneling

# FIRE RATED XVENTBOX OPTIONS

## 1 hr Rating

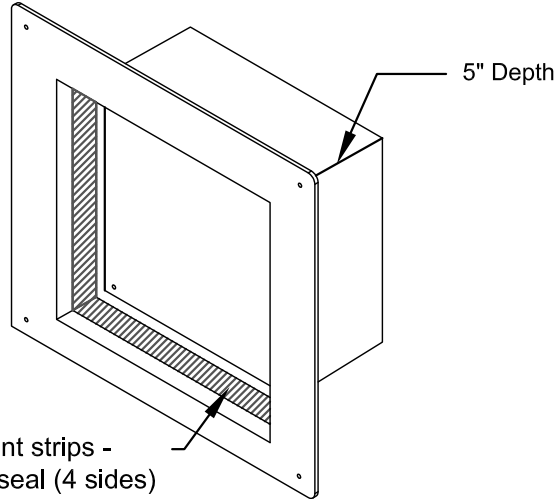
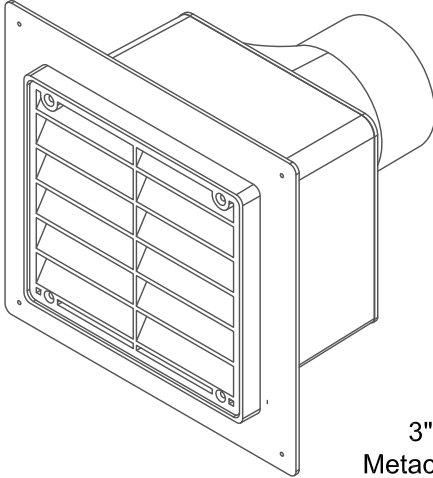
To be used with any S, BR & F Single and Mini-Double XVentBox Series.

### MODEL

### METAL SHROUD

### EXTERIOR WALL FINISH

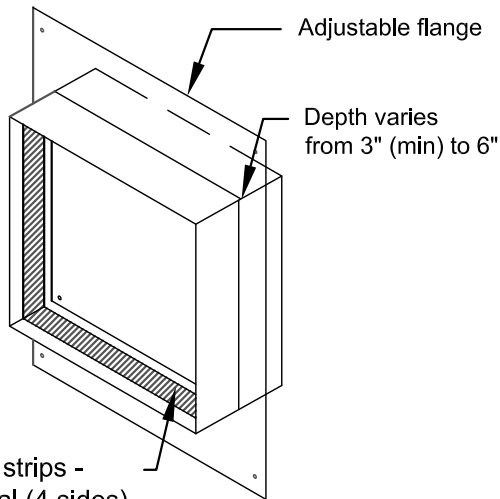
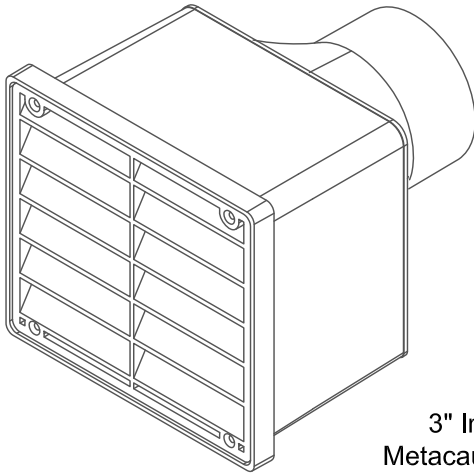
S Model Single and Minidouble



Designed for exterior finish systems such as:

Siding (Metal, fibercement, etc.)  
Stucco  
Metal Paneling

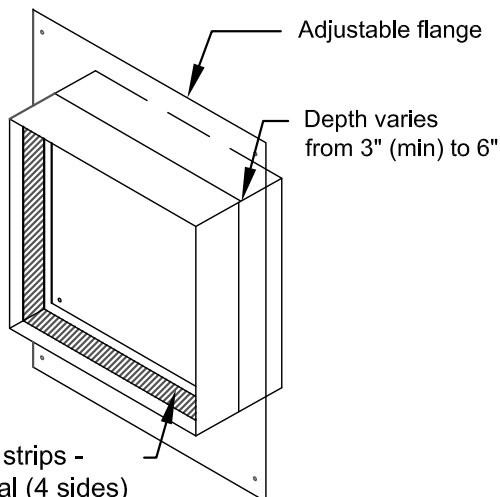
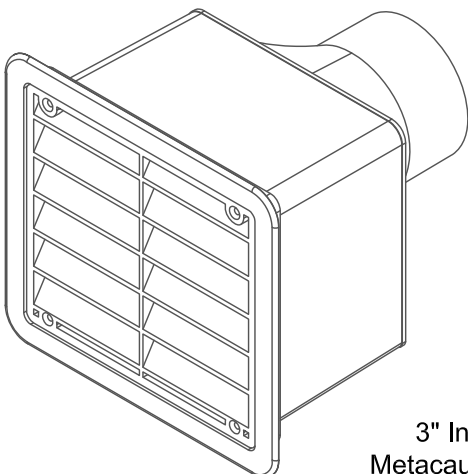
BR Model (Double and Triple )



Designed for exterior finish systems such as:

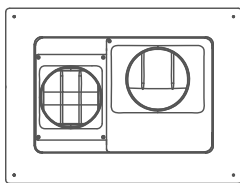
Brick  
Stone  
EIFS  
Metal Panels  
Composite Panels  
Stucco

F Model (Double and Triple )

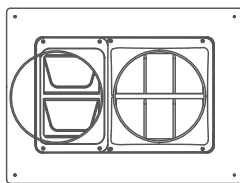


Designed for exterior finish systems such as:

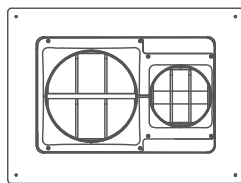
Precast Panels  
Prefinish exterior systems  
Metal Paneling



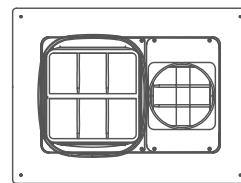
4-4



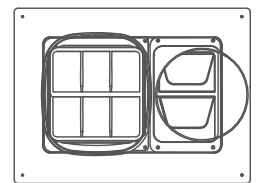
6-6



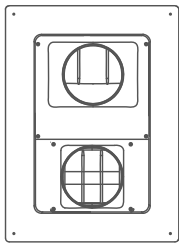
6-4 / 4-6



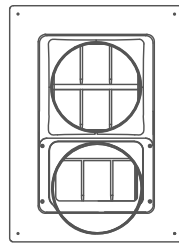
8-4 / 4-8



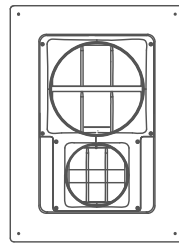
8-6 / 6-8



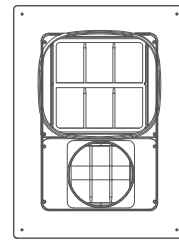
4-4



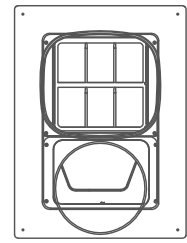
6-6



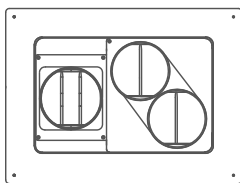
6-4 / 4-6



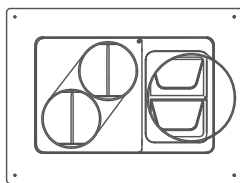
8-4 / 4-8



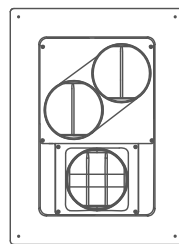
8-6 / 6-8



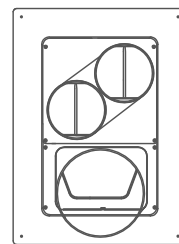
4-4-4



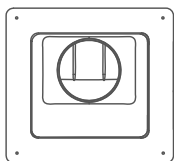
4-4-6 / 6-4-4



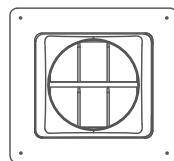
4-4-4



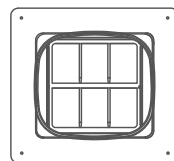
4-4-6/6-4-4



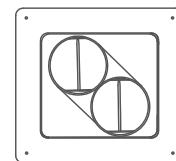
4



6



8



4-4