



LISTING INFORMATION OF
RVG Inc. - Fire Rated XVent Box
SPEC ID: 64364

Red Viking Group, Inc.
8022 Providence Rd. Suite 500-145
Charlotte, NC 28277
United States

This report is for the exclusive use of Intertek's Client and is provided pursuant to the agreement between Intertek and its Client. Intertek's responsibility and liability are limited to the terms and conditions of the agreement. Intertek assumes no liability to any party, other than to the Client in accordance with the agreement, for any loss, expense or damage occasioned by the use of this report. Only the Client is authorized to permit copying or distribution of this report and then only in its entirety. Any use of the Intertek name or one of its marks for the sale or advertisement of the tested material, product or service must first be approved in writing by Intertek. The observations and test results in this report are relevant only to the sample tested. This report by itself does not imply that the material, product, or service is or has ever been under an Intertek certification program.

LISTING INFORMATION

The Fire Rated XVent Box is a plastic exhaust box composed of standardized molded parts fabricated and assembled by Red Viking Group, Inc. The injected molded parts are 100% polypropylene. The plastic exhaust box composed of standardized parts is modular by design that offers an array of venting options. In a Fire Rated XVent Box, the exhaust box is encased in a 20 GA steel metal housing that is custom ordered to provide adjustable flange for mounting with a depth varying from 3-in to 6-in. accommodating an offset distance between 1-in. and 6-in. The Fire Rated XVent Box incorporates three layers of a 3-in. wide and 2mm thick proprietary intumescent pad around the perimeter between the metal housing and plastic exhaust box.

FIRE RATINGS

Test Standard	Rating	Design Number
ASTM E814	F-Rating: 60 Min. T-Rating: 55 Min.	RVG/WV 60-01

Attribute	Value
Criteria	ASTM E814-13a (2017)
CSI Code	08 00 00 Openings
CSI Code	08 95 16 Wall Vents
Fire Resistance	1 Hour Fire Rating
Intertek Services	Certification
Listed or Inspected	LISTED
Listing Section	ADDITIONAL COMPONENTS FOR WALL ASSEMBLIES
Spec ID	64364

DRAWING INDEX

RVG/WV 60-01

RVG/WV 60-01



Division 08 – Openings
08 95 00 Vents
08 95 16 Wall Vents

Red Viking Group, Inc.
Design No. RVG/WV 60-01
Wall Vent
Fire Rated XVent Box
ASTM E814
F-Rating: 60 Minutes
T-Rating: 55 Minutes

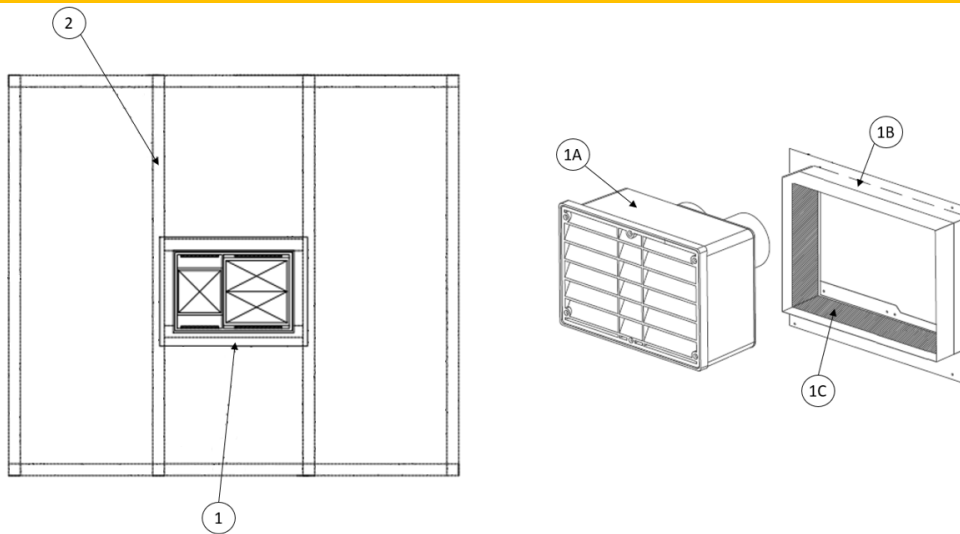


Figure 1. Fire Rated XVent Box

1. COMPONENT NAME: WALL VENT BOX

CERTIFIED PRODUCT: Red Viking Group, Inc.,
Fire Rated XVent Box

Install Fire Rated XVent Box in a 1 Hr Fire Rated wall assembly with minimum requirements described in Item 2. Mount box following the manufacturer’s instructions and requirements.

A. EXHAUST BOX: Max. 8 in. by 12-1/8 in. modular plastic exhaust box manufactured by RVG Inc.

B. METAL SHROUD: Min. 20 GA steel housing for exhaustion box. Secured to exhaust box (Item 1A) per manufacturer’s assembly instructions. For mounting purposes, the metal shroud may vary in depth from 3 in. to 6 in. to accommodate offset distances between 1 in. to 6 in. Attach the metal shroud to the wall with min. No. 6 screws, one in each corner, fastened through the exterior gypsum board and into the wall framing.

C. INTUMESCENT STRIP: Min. 3 layers of min. 3 in. wide, nominal 2 mm thick proprietary

RVG/WV 60-01 (2 OF 2)



Division 08 - Openings
08 95 00 Vents
08 95 16 Wall Vents

intumescent strip pre-installed around the perimeter between the exhaust box (Item 1A) and the metal shroud (Item 1B) by the manufacturer.

thickness Type X gypsum board, certified to ASTM C1396, attached to framing with fasteners as described in the corresponding fire-rated wall design.

- D. EXHAUST DUCT (not shown): Mechanically fasten min. 26 GA rigid steel duct or flexible steel duct to exhaust box per manufacturer's installation instructions. Support ducting with min. 28 GA, min. 1/2-wide, galvanized steel hanger straps fastened to the wall framing.
- 2. SUPPORTING CONSTRUCTION:** Use a min. 1 Hr, ASTM E119 or UL 263 fire-resistance rated wall assembly meeting the following minimum construction requirements:
- A. FRAMING: Double stud construction with min. 2x4 wood studs or min. 25 GA, min. 1-1/2 in. x 3-5/8 in. steel studs.
- B. INTERIOR GYPSUM BOARD (not shown): Min. one layer of min. 5/8 in. nominal
- C. EXTERIOR GYPSUM BOARD (not shown): Min. one layer of min. 5/8 in. nominal thickness Type X gypsum board, certified to ASTM C1396, or min. 5/8 in. nominal thickness Type X glass mat gypsum panel, certified to ASTM C1658, attached to framing with fasteners as described in the corresponding fire-rated wall design.
- D. EXTERIOR WALL FINISH (not shown): Use an approved exterior wall finish as described in the corresponding fire-rated wall design.
- E. WALL CAVITY (not shown): Ensure a min. wall cavity depth of 16-1/4 in. measured from the inside of the interior gypsum board to the inside of the exterior gypsum board.

Consult the listing report on the Directory of Building Products (<https://bpdirectory.intertek.com>) for the edition of the standard(s) evaluated.

Compliance of the assembly described in this Design Listing with the referenced standard relies on verification that the assembly constructed in the field is consistent with that described herein. Intertek certified products may be verified by the approved Intertek label; other products must be verified by the Authority Having Jurisdiction as meeting the specifications stated herein.