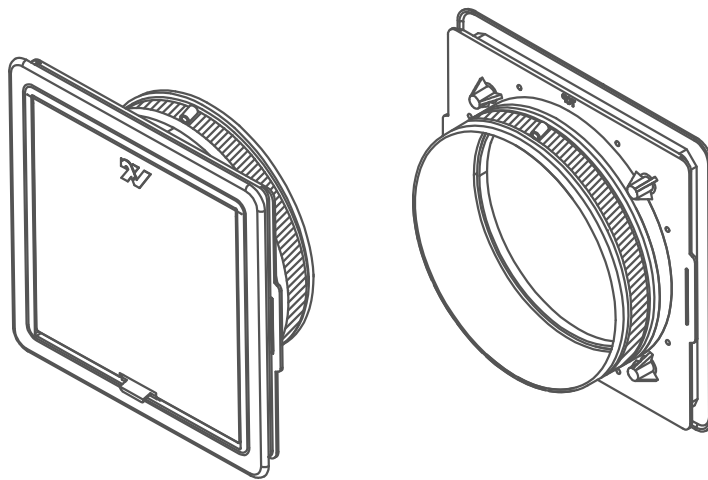
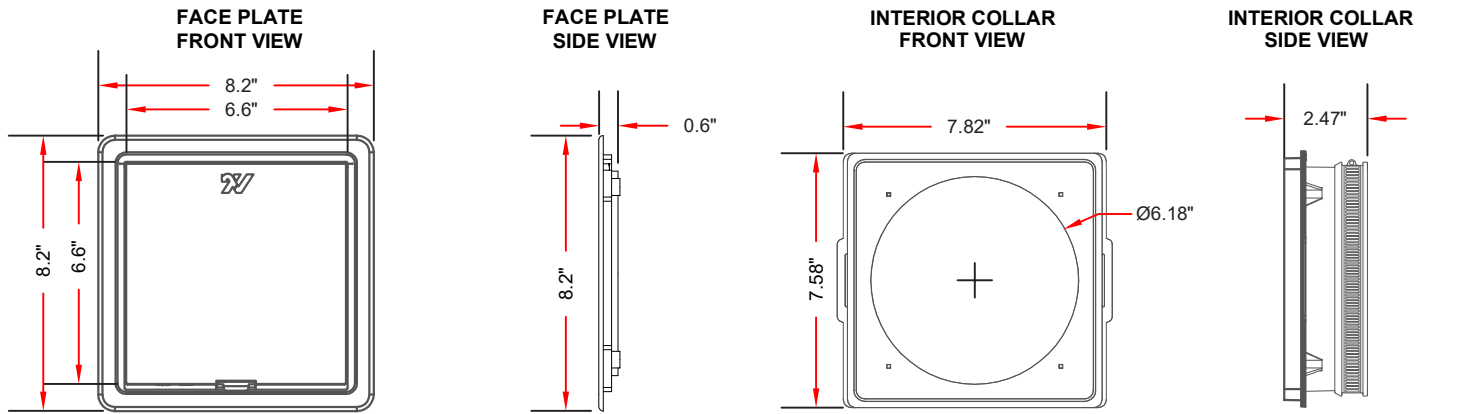


TECHNICAL SPECIFICATIONS

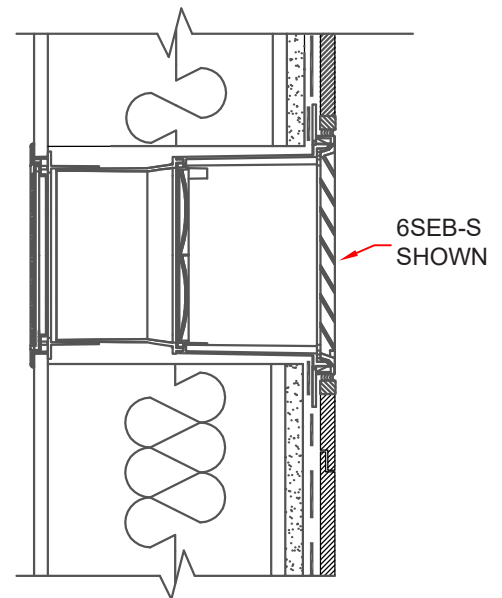
MODEL # EXAP6

Designed for exhausting Portable ACs
Compatible with all SEB series models

Fits exterior to interior wall distances varying from 4" to 12"



COMPLETE ASSEMBLY SECTIONAL VIEW



*Compatible with all 6SEB models

PERFORMANCE DATA

FOR USE

- Exhaust of Home Portable Air Conditioners

MATERIALS

- Constructed from ABS thermoplastic polymers
- All components made and fully assembled in the USA

GENERAL INFORMATION

BENEFITS/ FEATURES

- To be used with any of the XVentBox SEB series (S, BR, BRS, F, & FC).
- Adjustable wall depths from 4" to 12"
- Fits standard ACs hose sized at 6"
- Access door opens at 105 ° and locks safe in place when not in used
- Low profile access port door
- Easy installation

NOTE: Product improvement is a continuing endeavor. Therefore, materials, appearance, and specifications are subject to change without notice.

Information provided herein is an estimate, and any specifications listed should be independently verified. Benefits described herein apply only to the extent that the product is installed properly, with the correct fit, and used for its intended purpose. This document does not constitute a promise or warranty by Red Viking Group Inc that all products will perform as stated herein. Red Viking Group Inc disclaims any implied warranty of merchantability. For product warranty, please see www.xventbox.com/warranty.